

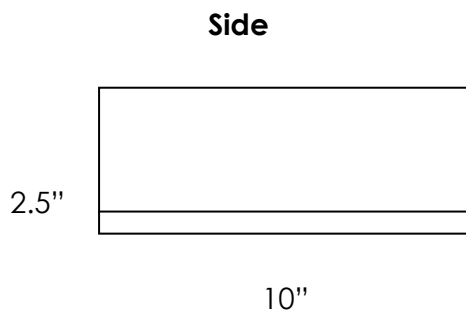
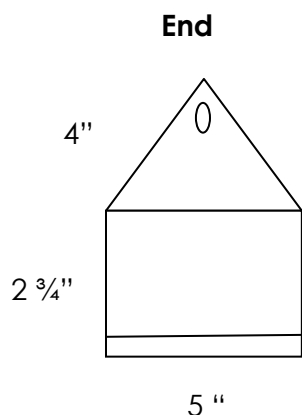
Prayer Toolbox-

Goal: Families will gather at their meal table and share in devotions.

Overview of Project: St. John in Nashua had children and families construct these boxes at the yearly Lenten Fair. Each family made one that could be taken home and placed at the meal table. Families with more than one child made an extra box and gave it to a grandparent, friend, or neighbor. Families were encouraged to place a Bible, devotional resources, and a candle in the box. Further they were encouraged to establish a ritual that is used when the family would gather, such as taking turns leading an opening prayer, reading from the Bible, and asking the questions for conversation. We had family table placemats available each week that were picked up on Sunday on the table where we have the bulletins. (Weekly Placemats are available at: http://www.lutheranyouth.org/Family_Table_Devotions_Year_C.165.html)



These tool boxes can be easily made. We had a woodworker in our congregation cut out the side pieces of 2x6" wood pieces and 1/4" particle boards. You will also need 1/2" dowels, wood glue, and finishing nails. Cut the pieces to lengths described below. Cut a groove for the bottom to fit into end and side pieces. Drill a round hole on the top of the end for the dowel handle and drill pilot holes for the nails to prevent cracking. Assemble the box by putting an end piece next to a side piece and nail. Put the bottom piece in and attach the other side piece by nailing into place. Place the handle in the prepared hole and attach the end piece to the sides. Nail remaining nails, to end up with four nails per side to secure. Use wood glue if desired for added strength. Paint as desired.



Cut groove for bottom wide enough for the particle board to fit into 1/2 inch up from the bottom of both side pieces and both end pieces.

1/2 " Wooden Dowel 10 1/2" long



Bottom Piece: 4 1/4 x 10 1/2 - 1/4 " Particle Board



Cut 2 Sides and 2 Ends per box. A 1/2 " hole for the dowel goes at the top of the triangle end on the end pieces, and four pilot holes are drilled on the ends to attach the sides. Plus you will need one bottom and one dowel handle for each box.